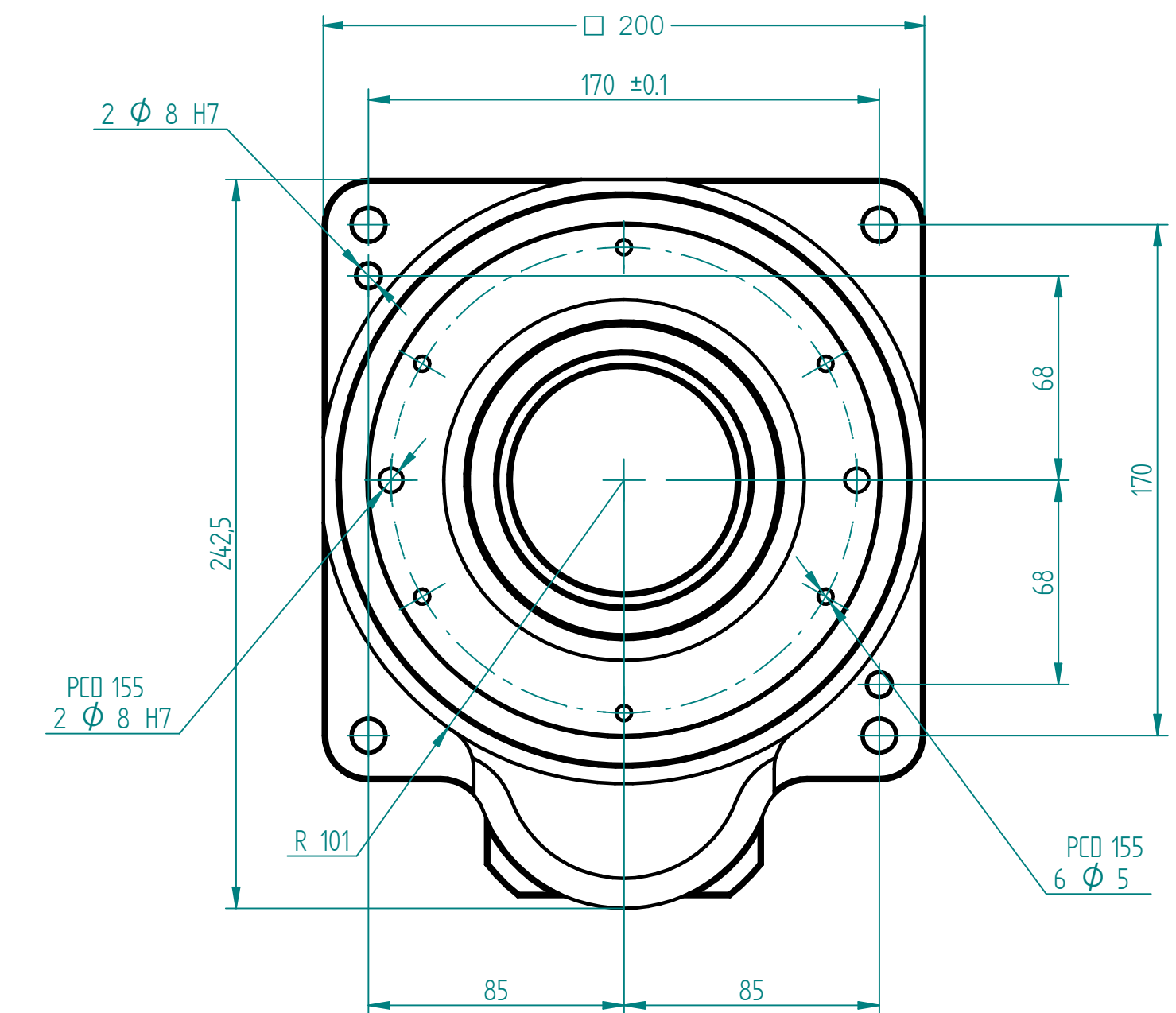
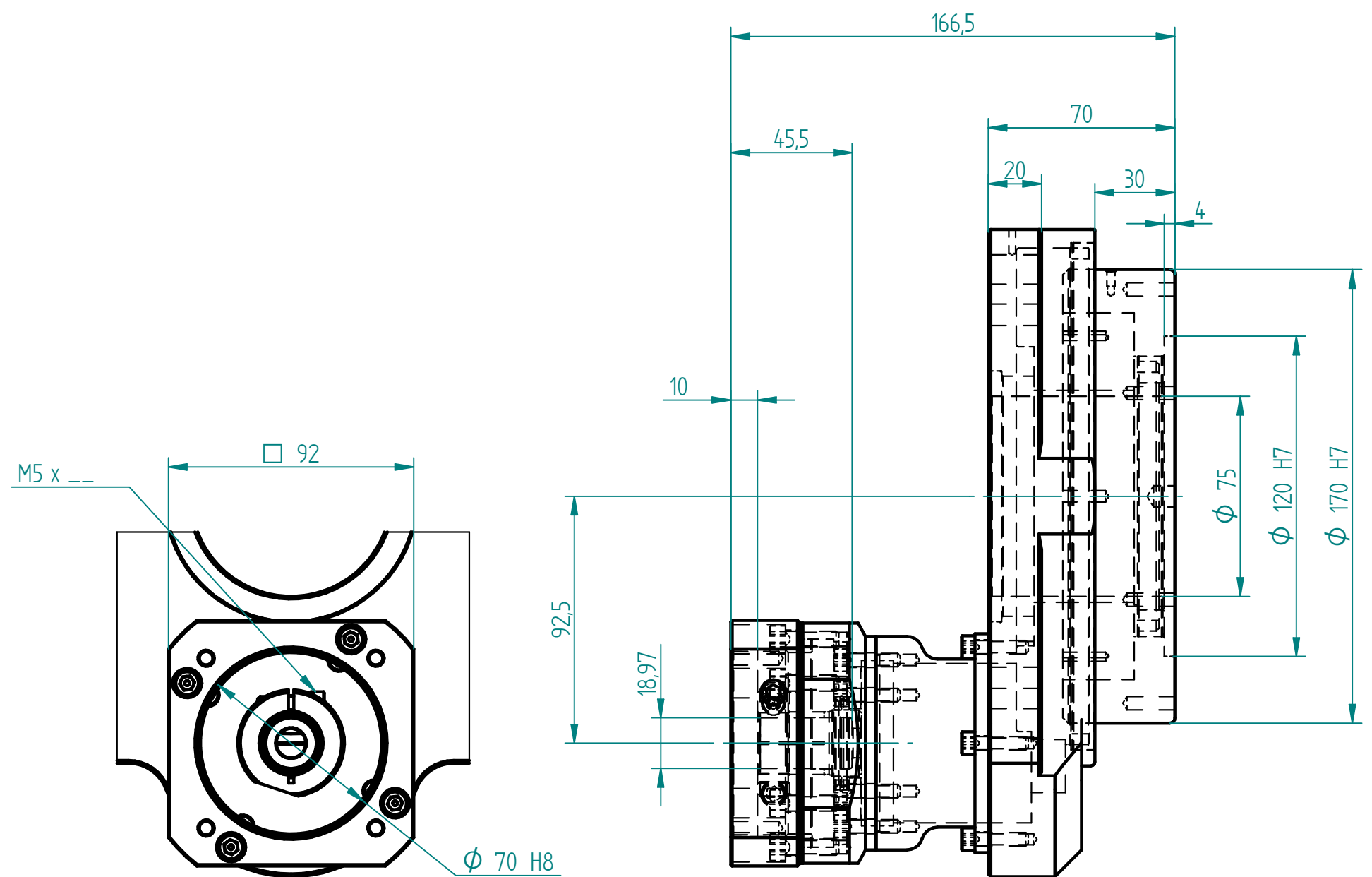


REVISION HISTORY			
REV	DESCRIPTION	DATE	APPROVED



SOLID EDGE ACADEMIC COPY

	NAME	DATE	Solid Edge		
DRAWN	Owner	11/28/16			
CHECKED			TITLE		
ENG APPR					
MGR APPR					
UNLESS OTHERWISE SPECIFIED DIMENSIONS ARE IN INCHES ANGLES ±XX° 2 PL ±XXX 3 PL ±XXXX			SIZE C	DWG NO	REV
			FILE NAME: SQ200B-2-70M6.dft		
SCALE:		WEIGHT:	SHEET 1 OF 1		