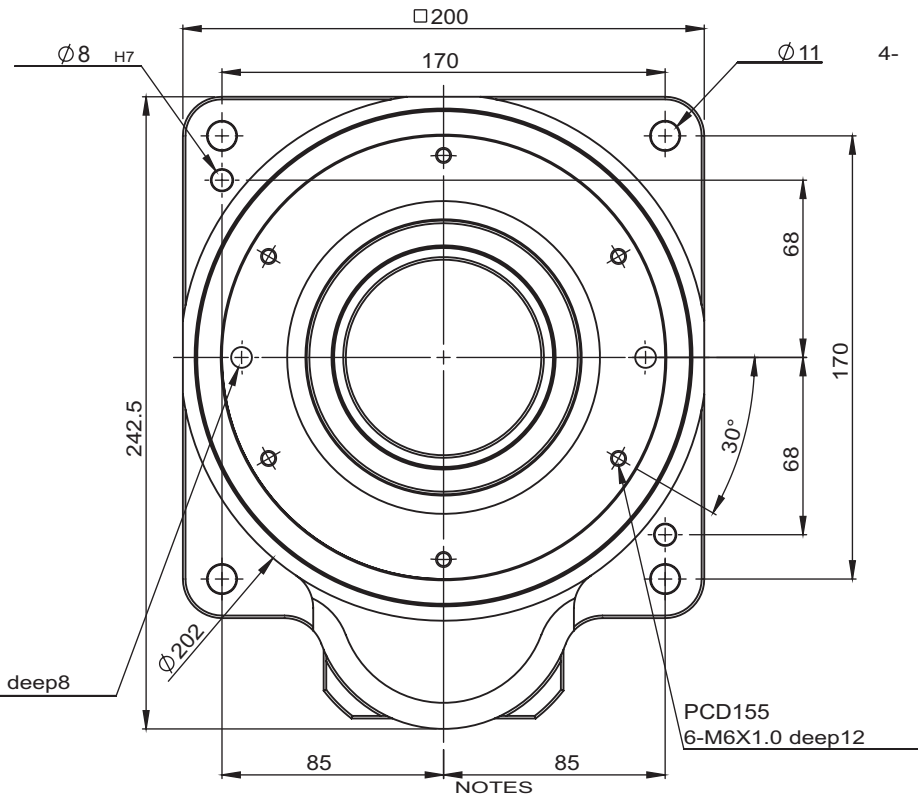
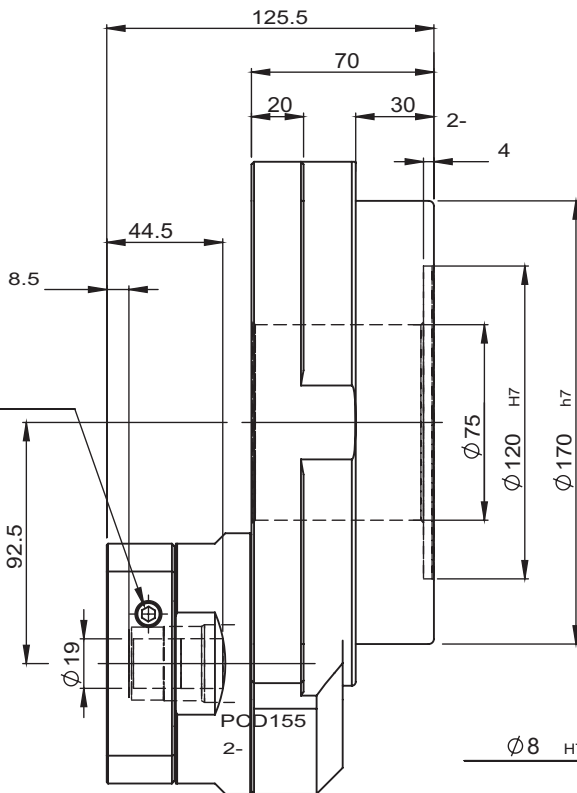
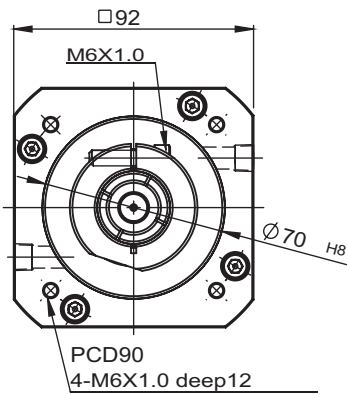


(Bushing 7.5)

2-1/8"PT



NOTES

1. Flange: 7MP90A-70-A
2. Bushing is supplied to input bore $\phi 10$, $\phi 12$, $\phi 12.7$ or $\phi 14$.

Ball bearings

TITLE Planetary Gearhead SERVOBOX	VARIETY OUTLINE DIMENSION	POWER 750W~1.5KW	APPROVED	DATE
	DRAWING NO. SQ-200B-1-70M6	PATH	EXAMINED	DATE
RATIO 1/18	MODEL SQ-200	STAGE 1	VERSION 01	CHECKED
	RATIO 1/18	UNIT mm		DRAWN
			2015/2/11	DATE